



HUMIDITY

ROOM, DUCT AND OSA 3% HUMIDITY TRANSMITTERS GEH3 SERIES



DESCRIPTION

The **Telaire/Amphenol Advanced Sensors Model GEH3 Series** 3% accuracy humidity transmitters are designed specifically for commercial HVAC/BAS applications. The room, duct, and OSA transmitters have replaceable sensor tips and switch-selectable outputs of 4-20 mA, 0-5 VDC or 0-10 VDC. The **GEH3 Series** also has an optional temperature transmitter, which has the same selectable outputs as humidity. All duct and OSA units come in weather-resistant enclosures rated for IP42 or NEMA 3R applications.

FEATURES

- $\pm 3\%$ accuracy
- Temperature compensated
- Field-selectable 4-20 mA, 0-10V, or 0-5V outputs
- Replaceable sensor
- Optional temperature transmitter



9

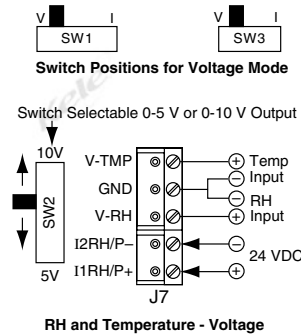
HUMIDITY

SPECIFICATIONS

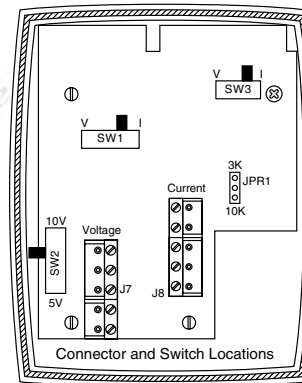
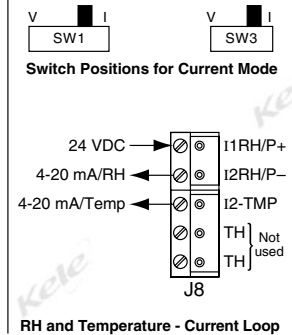
Accuracy	3% (10% to 90%)
Supply Voltage	12-30 VDC, 2.4 VA
Signal Output	4-20 mA @ 700Ω, 0-5V/0-10V selectable @ 10KΩ max.; 0-100% RH
Sensing Technology	Capacitive and replaceable
Operating Humidity	0% to 99%, non-condensing
Operating Temperature	-40° to 140°F (-40° to 60°C)
Enclosure Rating	
Room	ABS plastic, UL94V Room Installed IP20, NEMA 1
Duct/OSA	IP42, NEMA 3R Stainless steel with removable tip, PTFE Teflon® Shield
Wiring Terminations	16 to 22 AWG terminals
Weight	
Room	0.5 lb. (0.23 Kg)
Duct/OSA	1.3 lb. (0.59 Kg)
Warranty	2 years

WIRING

VOLTAGE MODE



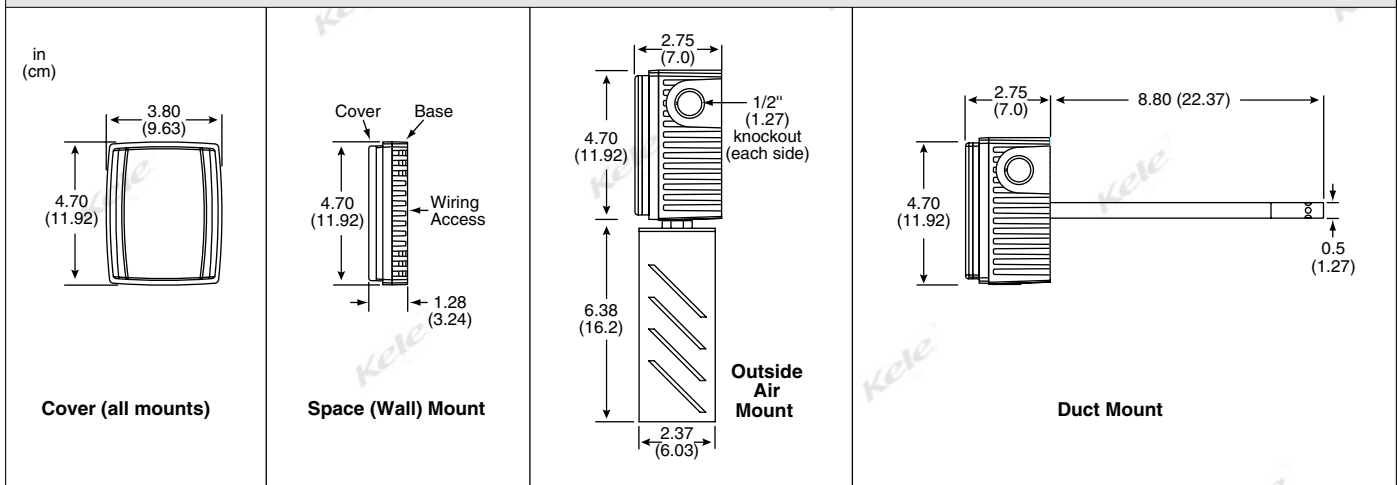
CURRENT MODE



Only one terminal block provided; move for either voltage or current.



WIRING



ORDERING INFORMATION

MODEL	DESCRIPTION
GEH3	RH transmitter 3% accuracy
	RH MOUNTING ENCLOSURE
S	Decorative room mounting enclosure
D	Duct mounting with ABS plastic IP42 enclosure
O	OSA mounting with ABS plastic IP42 enclosure and weather shield
SN	Decorative room mounting enclosure with NIST certificate
DN	Duct mounting with ABS plastic IP42 enclosure with NIST certificate
ON	OSA mounting with ABS plastic IP42 enclosure and weather shield with NIST certificate
	TEMPERATURE OPTION
TT0	Transmitter, 40° to 90°F (4.4° to 32.2°C) (S, D, SN, and DN only)
TT2	Transmitter, -20° to 140°F (-29° to 60°C) (D, O, DN, and ON only)
TT3	Transmitter, 0° to 100°F (-18° to 38°C) (All enclosure mounts)

Example: **GEH3-SN** 3% room RH transmitter with NIST certificate
GEH3-D 3% duct RH transmitter

RELATED PRODUCTS

DCPA-1.2	Power supply, 120 VAC In to 24 VAC/24 VDC Out
GEH3-RH	Replaceable 3% humidity sensor for room, duct, and OSA
GEH3-RHTT	Replaceable 3% humidity and temperature sensor for room, duct and OSA transmitters
DCP-1.5-W	Power supply, 24 VAC IN to 24 VDC OUT